

**ADDENDUM NO. 3**  
**05/06/2024**

**PROJECT: CITY OF IDALOU**  
**ELEVATED STORAGE TANK IMPROVEMENTS**

**BID DATE: MAY 9, 2024**

The following changes and/or additions shall be made to the Plans, Specifications, and Contract Documents for the above referenced project. The bidder shall acknowledge receipt of this Addendum by signing below and returning this Addendum with the Bid.

**1) GENERAL**

- a) This project must follow both AIS and BABA requirements.
- b) CLARIFICATION: The existing high tide SCADA unit is to be unplugged and relocated to the new elevated storage tank location. This high tide SCADA unit is to be connected as shown on the panel “A” schedule on Sheet E-10.
- c) The order of priority for alternates. In the case of budget overruns, it is expected that the following order would be utilized for deducts to be awarded within the proposed budget. Final deductive alternatives taken will be chosen by the City.
  - i) D2 – Stainless Steel Inlet & Outlet Riser
  - ii) D1/A1 – 100,000 Gallon Single Pedestal Elevated Tank

**2) PLAN SHEETS**

- a) Sheet E-1 – Electrical General Notes and Details– This sheet has been added to provide additional details on the elevated tank lighting equipment.

**3) SPECIFICATIONS**

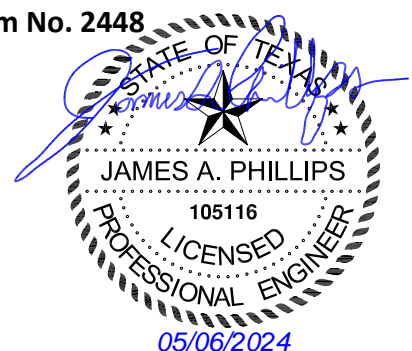
- a) 01 03 01 – Measurement and Payment – Has been revised to clarify additional line items in the bid schedule.

\_\_\_\_\_  
**Bidder’s Acknowledgment**

\_\_\_\_\_  
**Date**

**Prepared by:**

**JACOB | MARTIN**  
**TBPE Firm No. 2448**



**CITY OF IDALOU  
WATER SYSTEM IMPROVEMENTS – CONTRACT 2 – ELEVATED STORAGE TANK IMPROVEMENTS  
BASE BID - ADDENDUM #1**

Show prices in numerals. Round off unit prices to two decimal places only.  
These Bid Prices must include all labor, materials, equipment, insurance, overhead, superintendence, transportation, profits & incidentals to cover the finished Work called for in the Contract Documents.

**For all Labor, Materials, Equipment and Incidentals to Furnish and Install the Following:**

Bid Item	Description	Est. Qty.	Unit	Unit Price	Extended Amount
1	Mobilization, Bonds, and Insurance	1	LS	\$	\$
2	100,000 Gallon Single Pedestal Elevated Tank	1	LS	\$	\$
3	Elevated Storage Tank Electrical & Control	1	LS	\$	\$
4	Existing Elevated Storage Tank Demolition	1	LS	\$	\$
5	8" DR18 PVC Waterline	217	LF	\$	\$
6	8" Tapping Sleeve and Valve	1	EA	\$	\$
7	8" Check Valve	1	EA	\$	\$
8	36" Metal Vault	1	EA	\$	\$
9	Fencing Installation	340	LF	\$	\$
10	Fencing Demolition	137	LF	\$	\$
11	Project Signage-EST	1	LS	\$	\$
<b>TOTAL BASE BID (Items 1-11)</b>					\$

**ADDITIVE ALTERNATE BID SCHEDULE**

**For all Labor, Materials, Equipment and Incidentals to Furnish and Install the Following:**

Bid Item	Description	Est. Qty.	Unit	Unit Price	Extended Amount
A1	100,000 Gallon Multi-Legged Elevated Storage Tank	1	LS	\$	\$
A2	Exterior Tank Lighting	1	LS	\$	\$
A3	Raw Steel Inlet & Outlet Riser	1	LS	\$	\$
<b>TOTAL ADDITIVE ALTERNATE BID (Items A1-A3)</b>					\$

**DEDUCTIBLE ALTERNATE BID SCHEDULE**

**For all Labor, Materials, Equipment and Incidentals to Furnish and Install the Following:**

Bid Item	Description	Est. Qty.	Unit	Unit Price	Extended Amount
D1	100,000 Gallon Single Pedestal Elevated Tank	1	LS	\$	\$
D2	Stainless Steel Inlet & Outlet Riser	1	LS	\$	\$

**TOTAL PROPOSED NUMBER OF DAYS FOR COMPLETION:**

**Notes:**

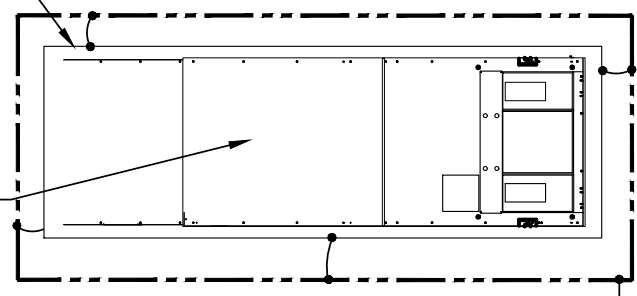
- 1) If alternative item A1 is selected, Base Bid Item #2 shall be deducted from the contract.
- 2) Bidder shall enter proposed number of days for completion on the Bid Proposal and the Bid Schedule.
- 3) If deductible alternate D2 is selected, A3 shall be accepted.

**Note: All products used for this project must meet Build America, Buy America (BABAA) domestic preference requirements.**

x:\idolou\21132-city of idolou 2021 water treatment improvements\Drafting\Plans\Electrical\E-1 ELECTRICAL GENERAL NOTES AND DETAILS.dwg  
 Saved By: cooper  
 Save Time: 5/1/2024 4:44 PM  
 Plotted by: cole carpenter  
 Plot Date: 5/1/2024 5:06 PM

PROPOSED CONCRETE GENERATOR SLAB SIZE BASED ON GENERATOR PURCHASED PLUS 6" ON ALL SIDES. REFERENCE GENERATOR PAD DETAIL FOR MORE DETAILS.

GENERATOR SUPPLIED WITH MINIMUM OF A 24 HOUR DIESEL SUB-BASE FUEL TANK



LEGEND	
⊙	GROUND WELL
•	GROUND CONNECTION
---	4/0 MCM BARE COPPER GROUNDING CONDUCTOR
---	2/0 MCM BARE COPPER GROUNDING CONDUCTOR

(1) - #4 AWG GROUND IN 1/2" PVC CONDUIT. CADWELD TO 3/8" x 10'-0" COPPER CLAD STEEL GROUND ROD.

### GENERATOR FOUNDATION & GROUNDING DETAIL NTS

LIGHTING FIXTURE SCHEDULE						
FIXTURE MARK	MANUFACTURER & CATALOG NUMBER	TYPE	LAMPS BULBS	VOLTAGE	SUPPORT	NOTES
A	COOPER MODEL #: BWSL-LD2-100-SPS-UNV- L840-CD1-U-AYC-CHAIN/SET	8' LINEAR	LED	UNV	CEILING MOUNT (SUSPENDED)	LIGHT TO BE PROVIDED WITH A CHAIN MOUNT FROM CEILING AND SUSPENDED AT 11' A.F.F.
A-EM	COOPER MODEL #: BWSL-LD2-100-SPS-UNV-EL14W L840-CD1-U-AYC-CHAIN/SET	8' LINEAR (EMERGENCY)	LED	UNV	CEILING MOUNT (SUSPENDED)	LIGHT TO BE PROVIDED WITH A CHAIN MOUNT FROM CEILING AND SUSPENDED AT 11' A.F.F.
B	COOPER MODEL #: LDWP-FC-4B-120V-PE-BK	WALL PACK	LED	120V	WALL MOUNT	LIGHT TO BE WALL MOUNTED ABOVE AT 11' A.F.F. LIGHT TO BE EQUIPPED WITH A PHOTOCELL.
C	SPECIALITY TOWER LIGHTING LED LIGHT KIT 21" TO 180"	LED OBSTRUCTION LIGHT	LED	120V	TOWER MOUNTED	
D	HYLITE LED LIGHTING MODEL #: HL-AF-750WD-50K-N6-277V-BK-PCK-7-YB-7500	ELEVATED TANK LIGHTING (ALTERNATE BID)	LED	120-277V	POLE MOUNTED	LIGHTS TO BE PROVIDED WITH 20' POLES. CONTRACTOR TO VERIFY LIGHTING ANGLE FOR ADEQUATE LIGHTING. PHOTOCELL TO BE PROVIDED WITH LIGHTS FOR LIGHTING CONTROLS. CONTRACTOR TO PROVIDE LIGHT MOUNTING AS REQUIRED.

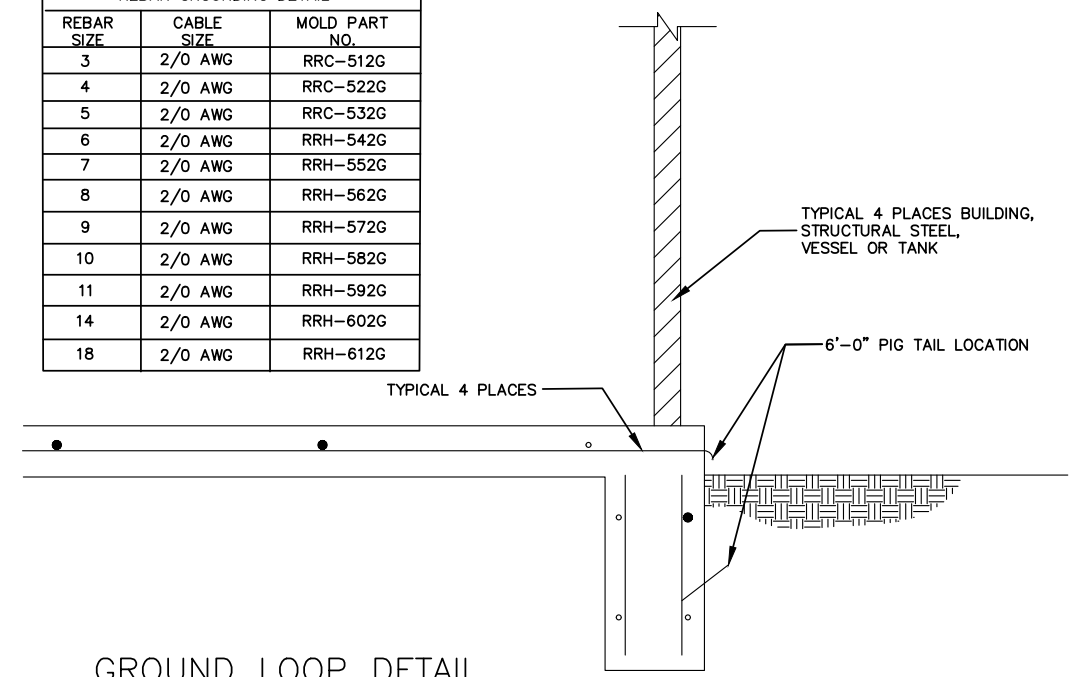
#### GENERAL ELECTRICAL NOTES:

- NFPA 70 - NATIONAL ELECTRIC CODE: MOST RECENT EDITION ADOPTED BY AUTHORITY HAVING JURISDICTION, INCLUDING ALL APPLICABLE AMENDMENTS AND SUPPLEMENTS.
- ALL CIRCUITS SHALL BE A MINIMUM SIZE OF 12 GAUGE AND A MINIMUM 3/4" CONDUIT.
- ALL CIRCUITS SHALL CONTAIN A GROUND WIRE.
- EACH CIRCUIT SHALL CONTAIN ITS OWN NEUTRAL WIRE. NO NEUTRAL SHARING SHALL BE ALLOWED.
- ALL CONDUCTORS SHALL BE COPPER UNLESS OTHERWISE SHOWN ON PLAN. USE THHW, THW, THWN, OR XHHW.
- ALL NEW INTERIOR CIRCUITS SHALL BE RAN IN IMT CONDUIT EXPOSED. HOLD CIRCUITS TIGHT TO CEILINGS AND WALLS. DO NOT SUPPORT OFF PIPING OR DUCTWORK. CONDUIT SHALL BE RAN PARALLEL TO BUILDING ELEMENTS AND SHALL BE WELL SUPPORTED.
- CLEAR, READABLE PANEL DIRECTORIES ARE REQUIRED FOR ALL NEW PANELS & EXISTING PANELS THAT ARE MODIFIED UNDER THIS PROJECT.
- LABEL ALL NEW PANELS, TRANSFORMERS, & DISCONNECT SWITCHES WITH ENGRAVED PLASTIC SIGNS, RED BACKGROUND WITH WHITE LETTERS. USE MINIMUM SIZE OF 4"x2". SCREW OR RIVET TO PANEL. SIGN NEEDS TO GIVE PANEL NAME, AMPERAGE, VOLTAGE, & PHASE.
- COORDINATE THE LOCATIONS OF ALL ELECTRICAL EQUIPMENT, DEVICES, FIXED EQUIPMENT, ETC. WITH OWNER PRIOR TO ROUGH-IN-WORK. DO NOT SCALE ELECTRICAL DRAWINGS.
- ELECTRICAL DESIGN PROVIDES A NUMBER OF BRANCH CIRCUITS, PHASES, AMPACITY AND OVERCURRENT PROTECTION CONFORMING TO MANUFACTURE'S SPECIFICATIONS AVAILABLE AT TIME OF DESIGN. IF REQUIREMENTS OF EQUIPMENT ACTUALLY PROVIDED UNDER CONTRACT FOR CONSTRUCTION ARE DIFFERENT, CONTRACTOR SHALL MAKE ALL CHANGES REQUIRED WITHOUT INCREASE IN THE CONTRACT AMOUNT. SUCH CHANGES MAY INCLUDE, BUT ARE NOT LIMITED TO: SIZE OF WIRES, SIZE OF CONDUIT, NUMBER, TYPE AND SIZE OF CIRCUIT BREAKERS, FUSE PROTECTION AND ADDITIONAL DISCONNECT SWITCHES.
- JUNCTION/PULL BOXES LOCATED AT CEILING SHALL BE INSTALLED FACING DOWN AND SHALL BE ACCESSIBLE AFTER INSTALLATION. COORDINATE WITH OTHER TRADES AND STRUCTURE.
- EXISTING UTILITIES. ELECTRICAL EQUIPMENT AND UNDERGROUND OR CONCEALED ITEMS ARE SHOWN FOR REFERENCE ONLY. ADDITIONAL ITEMS NOT SHOWN MAY BE PRESENT AND LOCATIONS MAY DIFFER FROM THAT SHOWN. CONTRACTOR SHALL PERFORM WORK AS TO AVOID DAMAGE TO EXISTING ITEMS. SHALL NOTIFY OWNER AND ENGINEER AT ONCE OF ALL DAMAGE AND SHALL REPAIR DAMAGE TO ORIGINAL CONDITION TO THE SATISFACTION OF OWNER AND ENGINEER AT NO CHANGE IN CONTRACT AMOUNT.
- ELECTRICAL CONTRACTOR SHALL VERIFY EQUIPMENT AND CONDUCTOR SIZE PRIOR TO ORDERING AND INSTALLATION OF ANY EQUIPMENT OR CONDUCTORS. REPORT ALL DISCREPANCIES TO THE ENGINEER.
- CONTRACTOR SHALL PROVIDE SUITABLE MATERIALS AND CONSTRUCTION METHODS TO PREVENT DAMAGE TO CONDUIT SWEEPS RESULTING FROM INSTALLATION OF LARGE CONDUCTORS.
- PROVIDE GRAY SWITCHES AND OUTLETS WITH STAINLESS STEEL COVERS IN METAL ELECTRICAL BOXES.
- ALL OUTLETS TO BE RATED AT A MINIMUM OF 20 AMPS
- THE CONTRACTOR WILL LABEL THE SERVICE DISCONNECT WITH FOLLOWING " THE MAXIMUM AVAILABLE FAULT CURRENT IS \_\_\_\_\_ AMPS. CALCULATED \_\_\_\_\_ 2024" NOTE: CALCULATED "# AND DATE TO BE SUPPLIED BY JACOB MARTIN. THE LABEL MUST "BE OF SUFFICIENT DURABILITY TO WITHSTAND THE ENVIRONMENT INVOLVED AS STATED IN THE NEC PARAGRAPH 110.24
- CONTRACTOR WILL REMOVE ALL CABLE SPLICERS AND TWIST ON WIRE CONNECTORS. THEY ARE TO BE REPLACED WITH CIRCUIT CABLES CONNECTED TO BREAKERS OR FUSES FOR OVERCURRENT PROTECTION AS REQUIRED BY THE NEC.

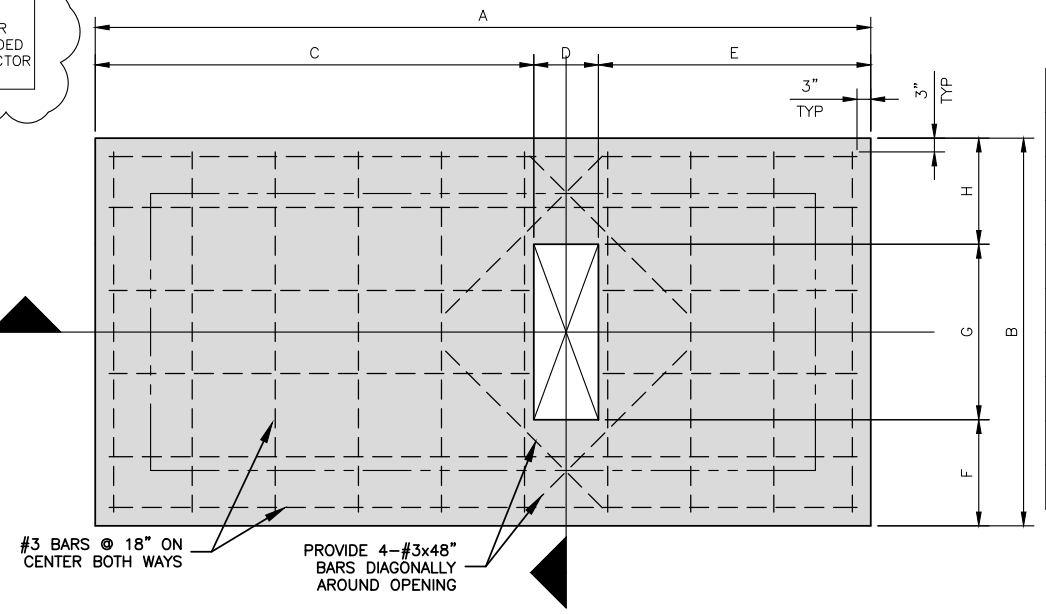
LEGEND	
A, A-EM	NEW 8' LINEAR LIGHT FIXTURE
B	NEW EXTERIOR LIGHT FIXTURE
C	NEW LED OBSTRUCTION LIGHT FIXTURE
J	JUNCTION BOX
S	LIGHT SWITCH
Q	DUPLEX OUTLET
PANEL	BREAKER #
C-5,7	HOMERUN
UE	UNDERGROUND ELECTRICAL SERVICE
OE	OVERHEAD ELECTRICAL SERVICE

ITEM	QUANTITY	MATERIAL DESCRIPTION
1	AS REQ'D	WIRE, 2/0 BARE STRANDED, COPPER, RATED FOR DIRECT BURIAL
2	AS REQ'D	CABLE TO CABLE GROUND, CADWELD PTC-2G2G
3	AS REQ'D	CABLE TO REBAR, SEE REBAR GROUNDING DETAIL FOR PART # THIS SHEET
4	AS REQ'D	GROUNDING CONNECTOR, CADWELD GTC-182G
5	AS REQ'D	GROUND ROD, COPPER, 3/4" X 10'-0" LONG
6	AS REQ'D	GROUND ENHANCEMENT MATERIAL

REBAR SIZE	CABLE SIZE	MOLD PART NO.
3	2/0 AWG	RRC-512G
4	2/0 AWG	RRC-522G
5	2/0 AWG	RRC-532G
6	2/0 AWG	RRH-542G
7	2/0 AWG	RRH-552G
8	2/0 AWG	RRH-562G
9	2/0 AWG	RRH-572G
10	2/0 AWG	RRH-582G
11	2/0 AWG	RRH-592G
14	2/0 AWG	RRH-602G
18	2/0 AWG	RRH-612G



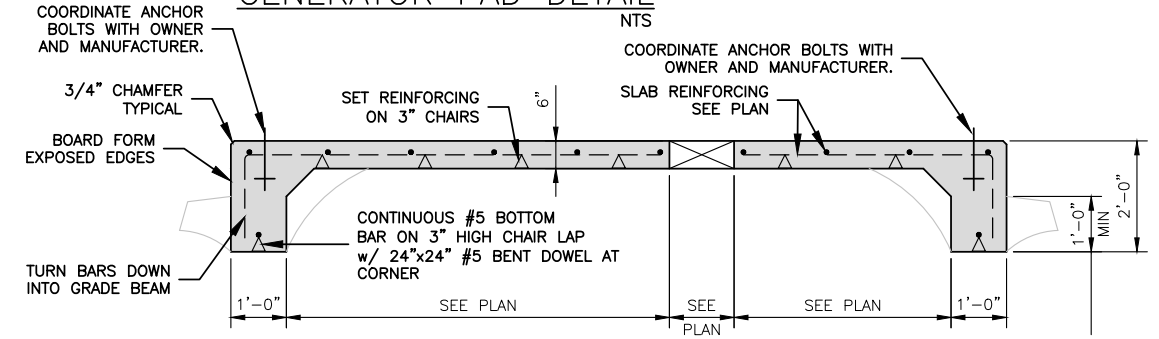
### GROUND LOOP DETAIL NTS



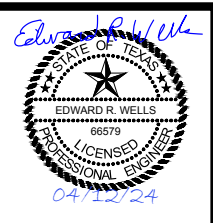
SLAB DIMENSIONS	
LABEL	GENERATOR
A	GENERATOR LENGTH PLUS 1'0"
B	GENERATOR WIDTH PLUS 1'0"
C	REFER TO GENERATOR INSTALLATION DOCUMENTS FOR ELECTRICAL CONDUIT STUB-UPS
D	
E	
F	
G	
H	

NOTE: GC TO COORDINATE ALL SLAB DIMENSIONS WITH FINAL GENERATOR INSTALLATION DOCUMENTS.

### GENERATOR PAD DETAIL NTS



### SECTION



ISSUED FOR BID

**JACOB MARTIN**

TBPE FIRM # 2448  
TBAE FIRM # BR-2261  
TBPELS FIRM # 10194993

IDALOU, TEXAS

WATER TREATMENT IMPROVEMENTS

ELECTRICAL GENERAL NOTES AND DETAILS

NO.	REVISION	DATE
1	ADDENDUM 1	04/26/2024

SCALE: 2:1132

PROJECT #

SEQ. SHEET

36 49 E-1

JACOB MARTIN		01 03 01
21132 - City of Idalou Water System Improvements		MEASUREMENT AND PAYMENT

## **SECTION 01 03 01 - MEASUREMENT AND PAYMENT**

### **PART 1 PAYMENT ITEMS**

#### **1.1 LUMP SUM PAYMENT ITEMS**

- A. The Measurement and Payment item shall be measured and paid for according to the

#### **1.2 REFERENCE STANDARDS**

#### **1.3 MOBILIZATION**

##### **A. PAYMENT**

The Measurement and Payment item shall be measured and paid for according to the lump sum in the bid proposal. Payment shall constitute full reimbursement for all mobilization to the site. Bonds and Insurance shall be included in individual line items.

- B. Unit of measure: LUMP SUM

#### **1.4 ELEVATED STORAGE TANK**

##### **A. PAYMENT**

The Elevated Storage Tank shall be measured and paid for according to the lump sum in the bid proposal. Payment shall constitute full reimbursement for furnishing and installing the elevated tank, foundation, sitework, coating, safety climb system, climb prevention device, tank disinfection, electrical (including lighting), control and incidentals as specified and shown on the PLANS.

- B. Unit of measure: LUMP SUM

#### **1.5 EXISTING ELEVATED STORAGE TANK DEMOLITION**

##### **A. PAYMENT**

The Existing Elevated Storage Tank Demolition shall be measured and paid for according to the lump sum in the bid proposal. Payment shall constitute full reimbursement for furnishing all equipment and appurtenances needed to fully remove the existing elevated storage tank from the site as specified and shown on the plans. Note, under this item the contractor is responsible for complete removal and disposal of tank and demolition debris.

- B. Unit of measurement: LUMP SUM

#### **1.6 ELEVATED STORAGE TANK YARD PIPING AND VALVES**

##### **A. PAYMENT**

The Elevated Storage Tank Yard Piping and Valves shall be measured and paid for according to the lump sum bid in the proposal. Payment shall constitute full reimbursement for furnishing and installing yard piping and valves as specified and shown on the PLANS.

- B. Unit of measure: LUMP SUM

#### **1.7 WATER TREATMENT PLANT BUILDING**

##### **A. PAYMENT**

The Water Treatment Plant Building shall be measured and paid for according to the lump sum in the bid proposal. Payment shall constitute full reimbursement for furnishing and installing the Water Treatment Plant Building, including metal building, foundation, insulation, and all appurtenances as shown and described on the PLANS.

- B. Unit of measure: LUMP SUM

#### **1.8 LOW PROFILE SIEVE AERATION EQUIPMENT**

##### **A. PAYMENT**

The Low Profile Sieve Aeration Equipment shall be measured and paid for according to the lump sum in the bid proposal. Payment shall constitute full reimbursement for furnishing and installing the Low Profile Sieve Aeration Equipment, transfer pump, blower unit, blower piping, blower silencer along and all appurtenances as shown and described on the PLANS.

JACOB MARTIN		01 03 01
21132 - City of Idalou Water System Improvements		MEASUREMENT AND PAYMENT

B. Unit of measure: LUMP SUM

**1.9 WATER TREATMENT PLANT ELECTRICAL**

A. PAYMENT

The Water Treatment Plan Electrical shall be measured and paid for according to the lump sum in the bid proposal. Payment shall constitute full reimbursement for furnishing and installing all power, conduit, panels, etc. to energize all equipment in the RO WTP as shown and described in the PLANS. This item shall also include coordination and payment to the utility for any upgrades to the electrical service described in the contract documents.

B. Unit of measure: LUMP SUM

**1.10 WATER TREATMENT PLANT CONTROL**

A. PAYMENT - The Water Treatment Plant Control shall be measured and paid for according to the lump sum in the bid proposal. Payment shall constitute full reimbursement for furnishing and installing all control wire and conductors as well as HIGH TIDE equipment to fully operate the system and integrate with the city's existing SCADA system as shown and described on the plans.

B. Unit of Measure: Lump Sum

**1.11 FIBERGLASS GAS CHLORINE BUILDING**

A. PAYMENT

The Fiberglass Gas Chlorine Building shall be measured and paid for according to the lump sum in the bid proposal. Payment shall constitute full reimbursement for furnishing and installing the fiberglass gas chlorine building, foundation, electrical wiring, and appurtenances as specified and shown on the PLANS

B. Unit of measure: LUMP SUM

**1.12 FEED WATER BOOSTER PUMP**

A. PAYMENT - The Feed Water Booster pump shall be measured and paid for according to the lump sum in the bid proposal. Payment shall constitute full reimbursement for furnishing and installing the booster pump and VFD and startup with all appurtenances as specified and shown on the Plans.

B. Unit of Measure: LUMP SUM

**1.13 WATER TREATMENT PLANT PIPING**

A. PAYMENT - The Water Treatment Plant Piping shall be measured and paid for according to the Lump Sum in the bid proposal. Payment shall constitute full reimbursement for furnishing and installing all WTP piping, valves, and fittings INSIDE of the water treatment plant building as shown on the plans. This item shall include all appurtenances including caps, screens, sampling ports, etc.

B. Unit of Measure: LUMP SUM

**1.14 MINI SPLIT AC UNIT**

A. PAYMENT - The Mini Split AC unit shall be measured and paid for according to the Lump Sum in the bid proposal. Payment shall constitute full reimbursement for furnishing and installing the AC Unit as specified and shown on the plans.

B. Unit of Measure: LUMP SUM

**1.15 BOOM GATE**

A. PAYMENT - The boom gate shall be measured and paid for according to the lump sum in the bid proposal. Payment shall constitute full reimbursement for furnishing and installing the Boom gate as specified and shown on the plans.

B. Unit of Measure: LUMP SUM

JACOB MARTIN		01 03 01
21132 - City of Idalou Water System Improvements		MEASUREMENT AND PAYMENT

**1.16 DOUBLE BLOCK AND BLEED ASSEMBLY VAULT AND 1" CONNECTION WITH BALL VALVE**

- A. PAYMENT - The Double Block and Bleed Assembly Vault and 1" connection with Ball Valve shall be measured and paid for according to the lump sum in the bid proposal. Payment shall constitute full reimbursement for furnishing and installing the item as specified and shown on the plans. Note, full size gate valves are shown under a seperate line item.
- B. PAYMENT - The Project Signage - (per contract) shall be measured and paid for according to the lump sum in the bid proposal. Payment shall constitute full reimbursement for furnishing and installing the item as specfied and shown in the plans and Contract Documents. The sign shall meet the applicable USDA funding requirements.
- C. Unit of Measure : Lump Sum

**1.17 UNIT PRICE PAYMENT ITEMS**

- A. Payment items for the work of this contract on which the contract unit price payments will be made are listed in the BIDDING SCHEDULE and described below. The unit price and payment made for each item listed shall constitute full compensation for furnishing all plant, labor, materials, and equipment, and performing any associated Contractor quality control, environmental protection, meeting safety requirements, tests and reports, and for performing all work required for each of the unit price items.

**1.18 WATER LINE**

- A. PAYMENT  
 Payment will be made for costs associated with operations necessary to furnish and install water line as specified and shown on the Plans. Water pipelines shall be measured and paid for at the unit prices for each size and class of water pipeline, which payment shall include trenching, laying, bedding, jointing, backfilling, connection to or plugging of existing water lines and furnishing water pipelines, fittings, couplings and accessories as specified, including labor, equipment, testing, sterilization, cleanup and supervision necessary to complete the water pipeline and place the water system in operation in accordance with these Specifications and may be directed by the ENGINEER.  
 No extra payment shall be made for special backfill in public ROW or gravel repair and asphalt repair. These shall be considered subsidiary to the pipeline installation and reimbursement for these items shall be included in the price bid for furnishing and installing the water line.  
 \* Asphat repair shall be paid under the item "Asphalt Repair".
- B. Unit of measure: LINEAR FOOT

**1.19 WATER LINE CONNECTIONS**

- A. PAYMENT  
 Payment will be made for costs associated with operations necessary to furnish and install water line connections as specified and shown on the Plans. Water line connections including piping, fittings, and coupling shall be measured and paid for at the unit price bid for each size and type of water line connection and incidentals furnished and installed.
- B. Unit of measure: EACH

**1.20 GATE VALVES**

- A. PAYMENT  
 Payment will be made for costs associated with operations necessary to furnish and install gate valves as specified and shown on the PLANS. Gate valves, tapping valves, and sleeves with Valve Boxes shall be measured and paid for at the unit price bid for each size valve, and incidentals furnished and installed.
- B. Unit of measure: EACH

JACOB MARTIN		01 03 01
21132 - City of Idalou Water System Improvements		MEASUREMENT AND PAYMENT

**1.21 METAL DETECTABLE TAPE**

A. PAYMENT

Payment will be made for costs associated with operations necessary to furnish and install metal detectable tape as specified and shown on the PLANS. Measurement and payment for the metal detectable tape required, furnished and installed shall be made at the price per linear foot of "Metal Detectable Tape" as bid in the Proposal.

B. Unit of measure: LINEAR FOOT

**1.22 5,000 GALLON RAW WATER TANK**

A. PAYMENT

Payment will be made for costs associated with operations necessary to furnish and install the 5,000 Gallon Raw Water Tank, foundation, coatings, connections, level controls, and TCEQ required tank appurtenances as specified and shown on the PLANS.

B. Unit of measure: EACH

**1.23 SAND TRAP**

A. PAYMENT

Payment will be made for costs associated with operations necessary to furnish and install the Sand Trap, connections, drain and other appurtenances as specified and shown on the PLANS.

B. Unit of measure: EACH

**1.24 GENERATOR & ATS**

A. PAYMENT

Payment will be made for costs associated with operations necessary to furnish and install the Generator & ATS, concrete pad, first full tank of fuel, startup by factory trained representative, 2 hour demo for owners representative, charges by the Electric Utility Company required to route the existing service to the new ATS, along with incidentals as specified and shown on the PLANS.

B. Unit of measure: EACH

**1.25 SITE IMPROVEMENTS - CONCRETE PAVING**

A. PAYMENT

Payment will be made for costs associated with operations necessary to furnish and install concrete paving as specified and shown on the PLANS.

B. Unit of measure: SQUARE YARDS

**1.26 SITE IMPROVEMENTS - CRUSHED BASE DRIVE**

A. PAYMENT Payment will be made for costs associated with operations necessary to furnish and install Crushed Base Drive as specified and shown on the PLANS.

B. Unit of measure: SQUARE YARDS

**1.27 FEED FLOW WATER METER**

A. PAYMENT - Payment will be made for cost associated with operations necessary to furnish and install the feed flow water meter as specified and shown on the plans.

B. Unit of Measure: Each

**1.28 VGAC CONTAINERS**

A. PAYMENT - Payment will be made for cost associated with operations necessary to furnish and install the VGAC containers as specified and shown on the plans. This item shall include the necessary hoses and connections from the exhaust pipe to the VGAC Units.

B. Unit of Measure: EACH

JACOB MARTIN		01 03 01
21132 - City of Idalou Water System Improvements		MEASUREMENT AND PAYMENT

**1.29 MINI RAE 3000 AIR SAMPLER**

- A. PAYMENT -Payment will be made for costs associated with operations necessary to furnish the Mini Rae 3000 Air Sampler as specified and shown on the PLANS.Unit of measure: SQUARE YARDS
- B. Unit of measure: EACH

**1.30 FENCING AND GATES**

- A. PAYMENT - Payment will be made for cost associated with operations necessary to furnish the fencing and gates as specified and shown on the PLANS. This item shall include fencing to surround the tank and VGAC units with a set of gates to access the VGAC canisters.
- B. Unit of measure: Linear Foot

**PART 2 NOT USED**

**PART 3 NOT USED**

**-- END OF SECTION --**



This page intentionally left blank