

**ADDENDUM NO. 2**  
**February 7<sup>th</sup>, 2025**

**PROJECT: TRI-TRY WSC**  
**PUMP STATION IMPROVEMENTS**

**BID DATE: February 12<sup>th</sup>, 2025**

The following changes and/or additions shall be made to the Plans, Specifications, and Contract Documents for the above referenced project. Bidder shall acknowledge receipt of this Addendum by signing below and returning this Addendum with the Bid.

**1) PLAN SHEETS**

Sheet 6 – Building Layout – This sheet has been modified to change the pressure range on the pressure gauge located on the downstream of the booster pumps and provide clarification on the temporary pressure sustaining bypass valve.

Sheet C15 – Waterline Details 1 – This sheet has been added to the set to provide additional details on the yard waterline piping.

Sheet C16 – Waterline Details 2 - This sheet has been added to the set to provide additional details on the yard waterline piping.

---

**Bidder's Acknowledgment**

---

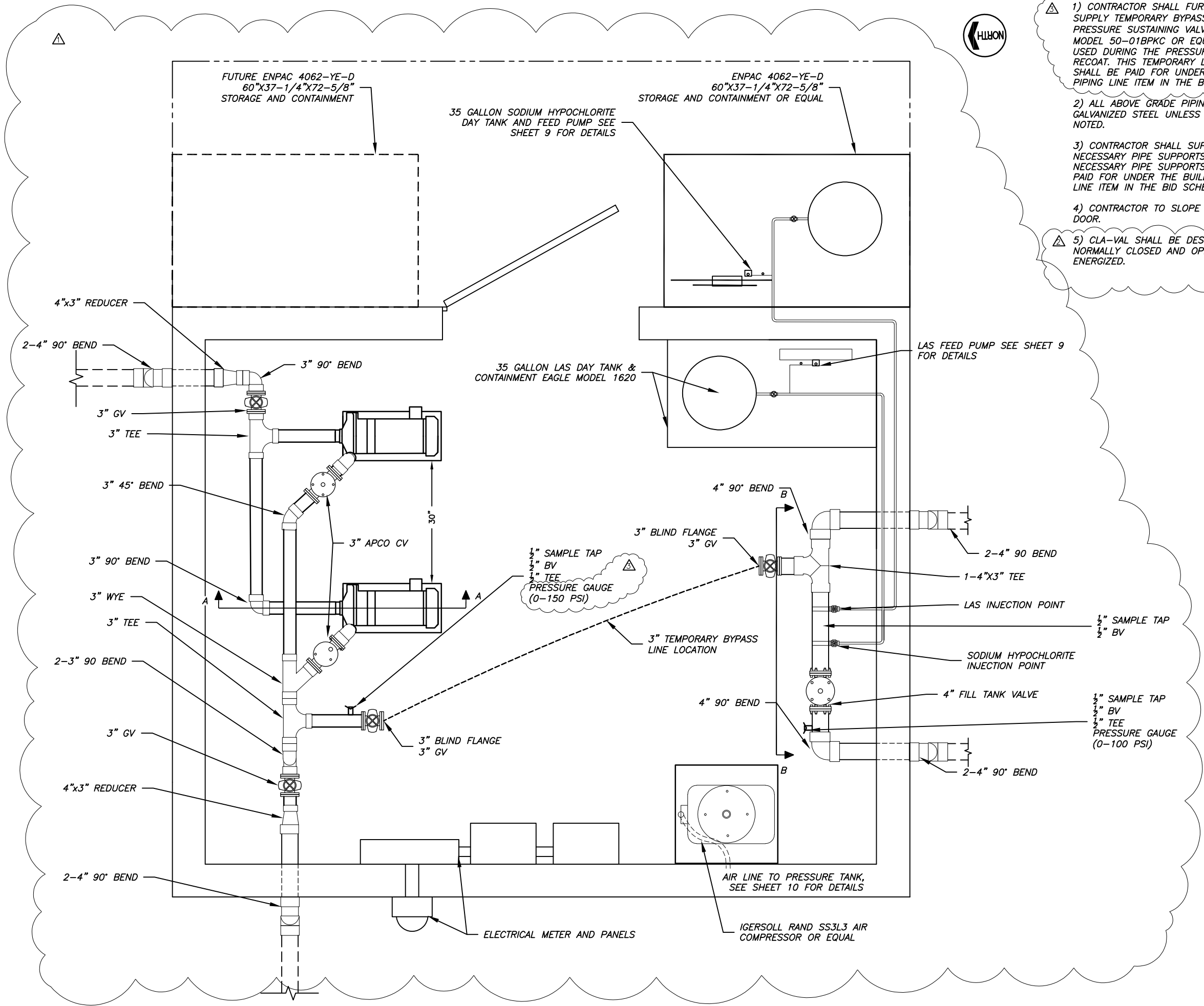
**Date**

**Prepared by:**

**JACOB | MARTIN**  
**TBPE Firm No. 2448**



X:\WS\_Tri\_Try\_WSC\22170-TWDB - DWSRF Pump Station Improvements - Tri\_Try\_WSC\Drafting\Plane\Civil\6. Building Layout.dwg  
 Saved By: j baker  
 Save Time: 2/7/2025 12:35 PM  
 Plotted by: joshua baker  
 Plot Date: 2/7/2025 12:35 PM

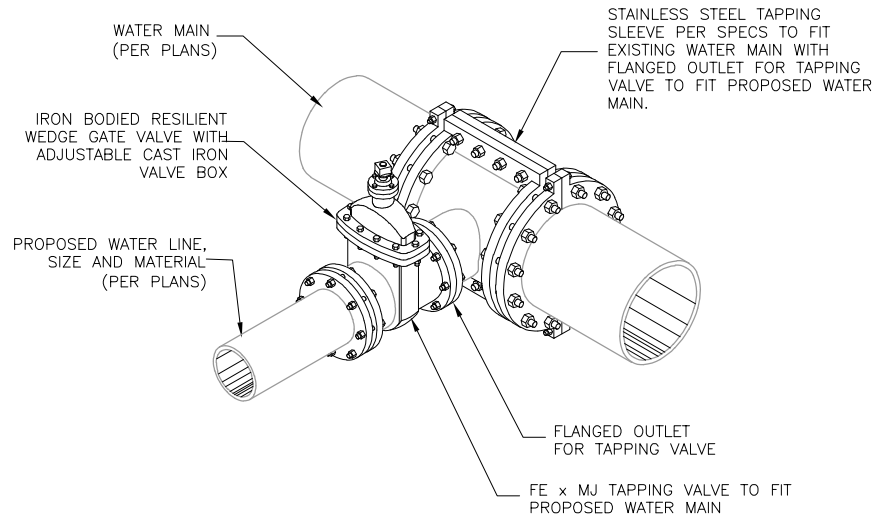


- NOTE:**
- 1) CONTRACTOR SHALL FURNISH AND SUPPLY TEMPORARY BYPASS LINE AND 3" PRESSURE SUSTAINING VALVE (CLA-VAL MODEL 50-01BPKC OR EQUAL) TO BE USED DURING THE PRESSURE TANK RECOAT. THIS TEMPORARY LINE AND VALVE SHALL BE PAID FOR UNDER THE BUILDING PIPING LINE ITEM IN THE BID SCHEDULE.
  - 2) ALL ABOVE GRADE PIPING SHALL BE GALVANIZED STEEL UNLESS OTHERWISE NOTED.
  - 3) CONTRACTOR SHALL SUPPLY ALL NECESSARY PIPE SUPPORTS FOR PROJECT. NECESSARY PIPE SUPPORTS SHALL BE PAID FOR UNDER THE BUILDING PIPING LINE ITEM IN THE BID SCHEDULE.
  - 4) CONTRACTOR TO SLOPE FLOOR TO DOOR.
  - 5) CLA-VAL SHALL BE DESIGNED TO BE NORMALLY CLOSED AND OPEN WHEN ENERGIZED.

**JACOB MARTIN**  
 TBAE FIRM # BR 2261  
 TBEF FIRM # 2446  
 TBEPLS FIRM # 10194493

**ASPERMONT, TEXAS**  
**TRI-TRY WATER SYSTEM IMPROVEMENTS**  
**BUILDING LAYOUT**

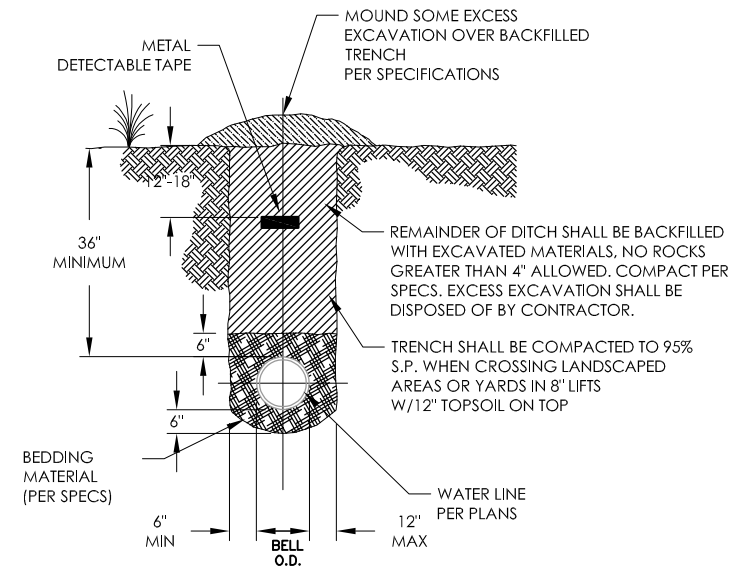
NO.	REVISION	DATE	BUILDING MODIFICATION	ADDENDUM #1	ADDENDUM #2	PROJECT #	SCALE	SHEET
10	10/01/2024							6
02	02/05/2025							18
02	02/07/2025							
PROJECT # SCALE 22170 1" = 1' BAR IS ONE INCH IN LENGTH ON ORIGINAL DRAWING. CHECK SCALE AND ADJUST ACCORDINGLY.								



**MAIN-LINE TAP CONNECTION**  
NTS

**NOTES:**

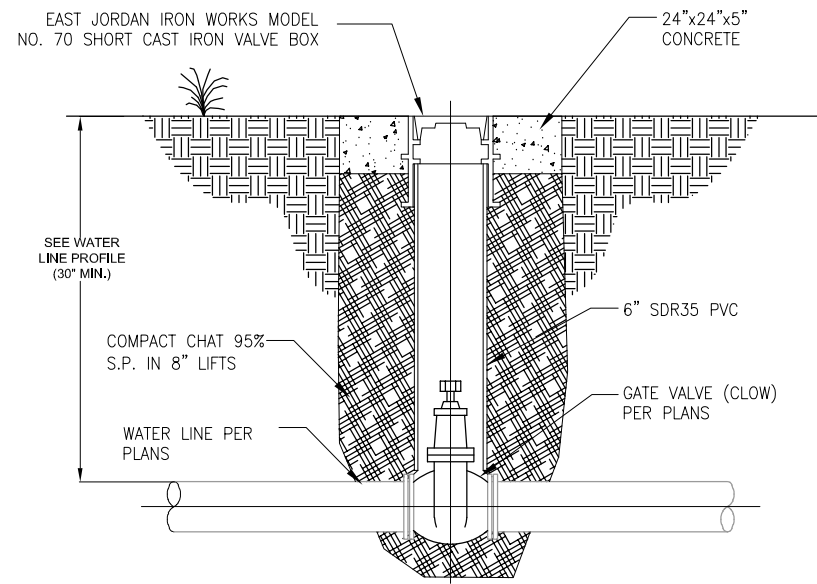
1. CONTRACTOR SHALL REMOVE AND DISPOSE OF ALL EXCESS EXCAVATED MATERIAL AS REQUIRED BY OWNER.
2. BEDDING MATERIAL SHALL BE VULCAN CHAT OR APPROVED EQUAL.



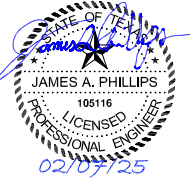
**TRENCH OUTSIDE OF PAVED AREAS**  
NTS

**NOTE:**

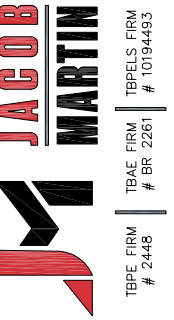
1. ALL BURIED VALVES SHALL BE FURNISHED WITH VALVE BOX.
2. CONTRACTOR TO ETCH IN CONCRETE BOX SKIRT: GATE VALVE SIZE AND WATERLINE DIRECTION.



**GATE VALVE & BOX**  
NTS



ISSUED FOR REVIEW



ASPERMENT, TEXAS  
**TRI-TRY WATER SYSTEM IMPROVEMENTS**

**WATERLINE DETAILS 1**

NO. REVISION	DATE		
1			
2			
3			
4			
5			
PROJECT # SCALE		BAR IS ONE INCH IN LENGTH ON ORIGINAL DRAWING.	
22170		N.T.S.	
SEQ.	SHEET		
15	18	C15	



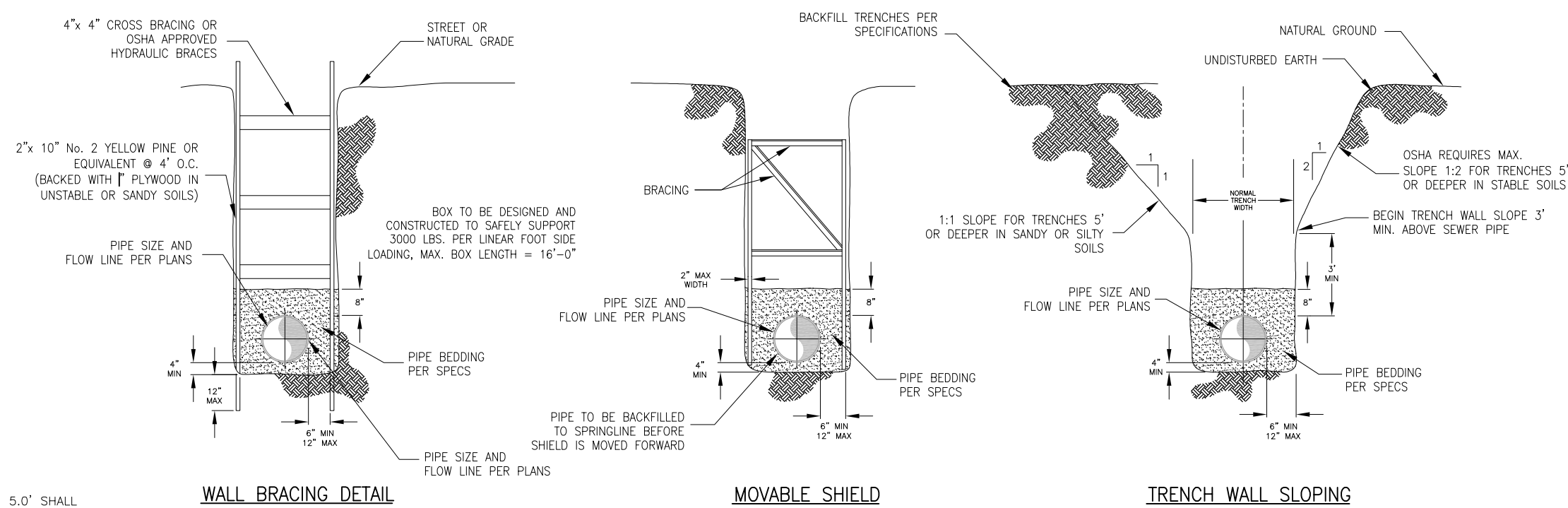
ISSUED FOR REVIEW

**JACOB MARTIN**  
 TBAE FIRM # BR 2261  
 TBEF FIRM # 2446  
 TBEF FIRM # 10194493

ASPERMONT, TEXAS  
**TRI-TRY WATER SYSTEM IMPROVEMENTS**  
 WATERLINE DETAILS 2

NO.	REVISION	DATE
16		
18		

PROJECT # 22170 N.T.S.  
 BAR IS ONE INCH IN LENGTH ON ORIGINAL DRAWING.  
 CHECK SCALE AND ADJUST ACCORDINGLY.



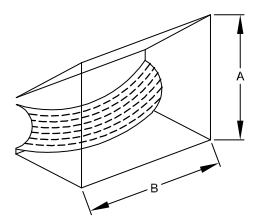
**TRENCH SAFETY NOTE:**  
 EXCAVATIONS DEEPER THAN 5.0' SHALL MEET O.S.H.A. TRENCH SAFETY STANDARDS PER REQUIREMENTS OF PART 1926, SUBPART "P", SECTIONS 1926.650 THROUGH 1926.653 INCLUSIVE ("EXCAVATION, TRENCHING & SHORING") OF THE O.S.H.A. STANDARDS.

**TRENCH WALL PROTECTION**  
 NTS

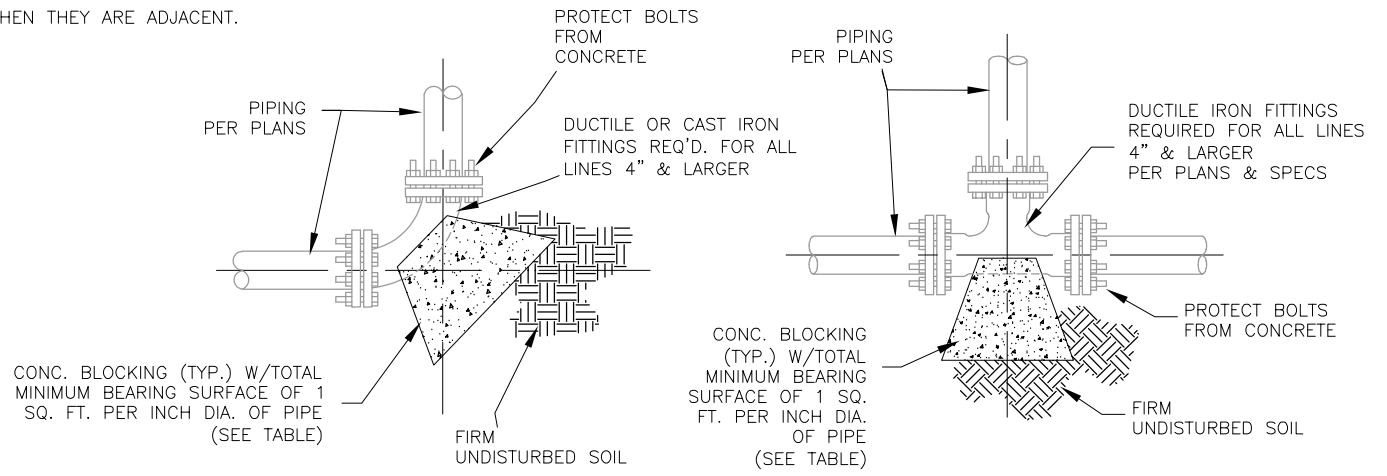
**NOTES:**  
 BLOCKING REQ'D. ON ALL BENDS 2" & LARGER. ALL REQ'D. BENDS & FITTINGS ARE NOT LABELED ON THE PLANS. PIPE MAY BE CURVED UP TO 75% OF MFG. RECOMMENDED MAX. CURVATURE WITHOUT A BEND AS APPROVED BY OWNER & ENGINEER.  
 BORE & ENCASEMENT LENGTH SPECIFIED ON PLANS SHALL NOT BE INCREASED W/O PRIOR PERMISSION FROM ENGINEER.  
 ALL IRON FITTINGS & VALVES SHALL BE ENCAPSULATED IN 8 MIL POLYETHYLENE PER SPECS.  
 CONTRACTOR SHALL USE MEGA LUG RESTRAINTS FOR ALL FITTINGS AND VALVES.  
 USE FOSTER ADAPTORS BETWEEN VALVES AND FITTINGS WHEN THEY ARE ADJACENT.

Pipe Dia. Size (Inches)	Minimum Soil Bearing Area Required (Square Feet)	Typical Dimensions of Bearing Area In Inches (A x B)	Typical Volume Of Conc. Required (Cubic Feet) *
2	2.0	12" x 24"	3.0
2 1/2	2.5	12" x 30"	4.0
3	3.0	14" x 30"	4.5
4	4.0	18" x 32"	6.0
6	6.0	24" x 36"	9.0
8	8.0	29" x 40"	12.0
10	10.0	30" x 48"	15.0
12 & 14	12.0	36" x 48"	18.0

\* VARIES CONSIDERABLY W/DISTANCE BETWEEN PIPE AND BEARING POINT



**TYPICAL BLOCKING DIMENSIONS**  
 NTS



**TYPICAL BLOCKING DETAILS**  
 NTS

Plotted by: Joshua Baker Plot Date: 2/7/2025 12:47 PM  
 Save Time: 2/7/2025 12:46 PM  
 Saved By: j baker  
 x:\WS\_Tri\_Try\_WSC\22170-TWDB - DWSRF Pump Station Improvements - Tri Try WSC\Drafting\Plane\C-Civil\G16 WATER LINE DETAILS 2.dwg